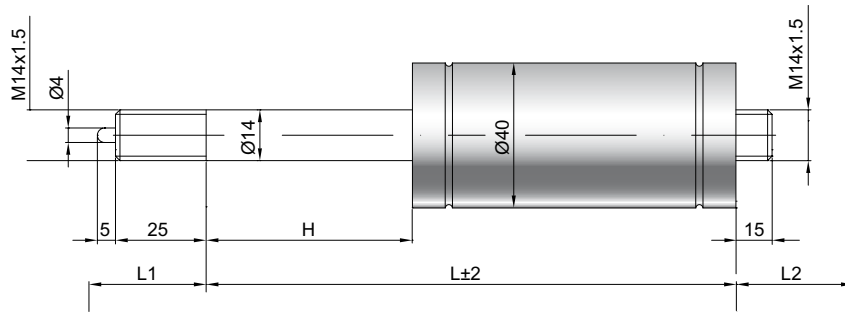


## Rigid locking gas spring S 14-40

|                           |                                   |
|---------------------------|-----------------------------------|
| <b>Extension force F1</b> | 300 - 2500 Newton                 |
| <b>Progression</b>        | 20 %                              |
| <b>Piston rod</b>         | Ø 14 mm, hard chrome-plated steel |
| <b>Pressure pipe</b>      | Ø 40 mm, black lacquered steel    |
| <b>Connections</b>        | Blue galvanised steel             |

GZ 25



GZ 15

L1 = Installation length of the release system

### Details

#### Standard strokes H (mm)

20, 25, 30, 40, 50, 60, 80, 100, 120, 130, 140, 150, 160, 180, 200, 210, 220, 250, 300, 350, 400, 450, 500

#### Default length GL

$L = 2,4 \times H + 95 \text{ GL}$   
 $= L + L1 + L2$

#### Release

Release pin protrudes 5 mm  
 Release travel 2 - 4 mm  
 Blocking force: Pressure ~ 6.5 x F1  
 Tension max. 5000 N

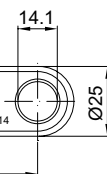
Observe **technical regulations** 

#### Standard scope of delivery

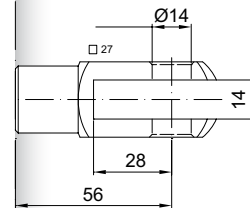
Valve on the base piece

#### Extras

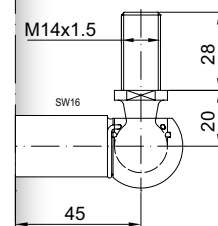
- 1 - Scraper
- 2 - Cross valve
- 4 - Fat chamber
- 6 - Protection tube



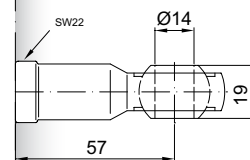
AU 42



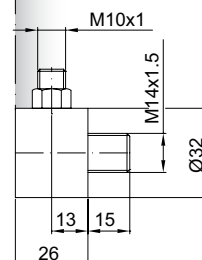
GA 56



WG 45



AG 57



QVGZ