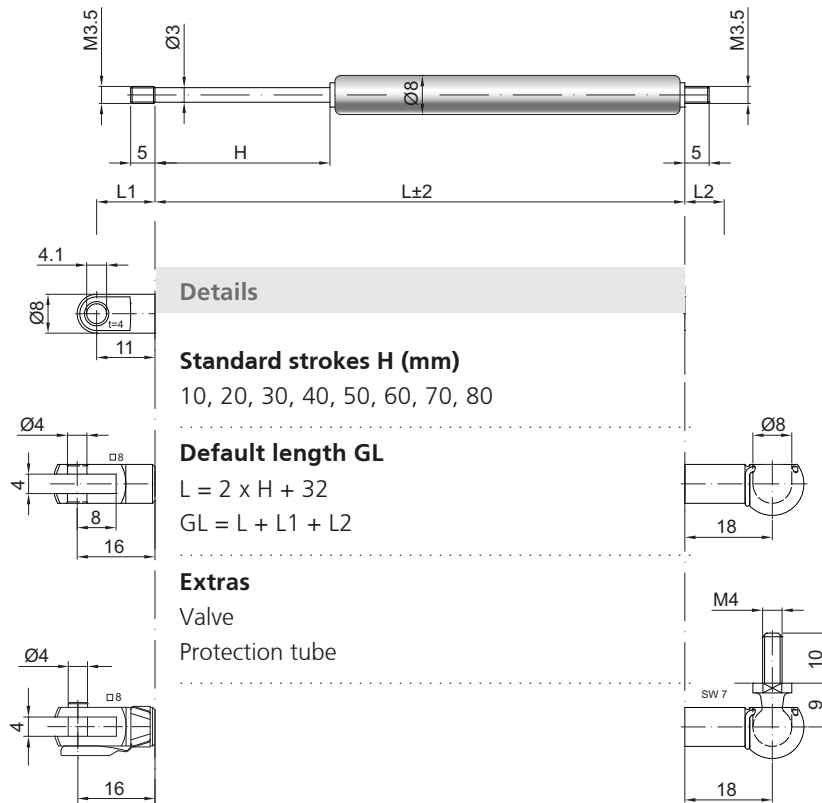


Gas spring G 03-08

Extension force F1	5 - 100 Newton
Progression	30 %
Piston rod	Ø 3 mm, stainless steel
Pressure pipe	Ø 8 mm, black lacquered steel
Connections	Blue galvanised steel

GZ 05

GZ 05



AU 11

GA 16

GG 16

PX 18

WX 18